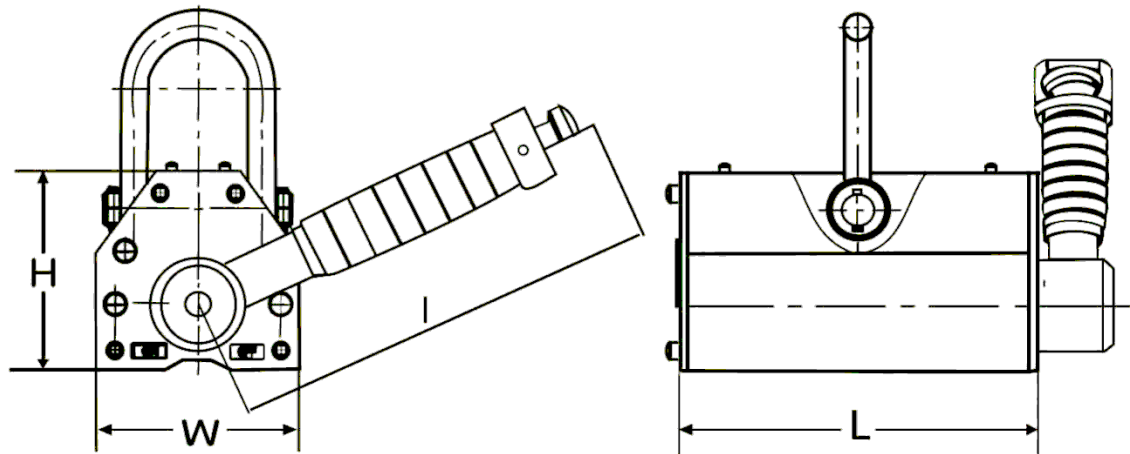


Magnetic lifter

Specifications for 3 times

MODEL	Rated lifting strength	Cylindrical Lifting strength	Max pull-off strength	L	W	H	I	Operation temperature	Gross weight
	(Kgf)	(Kgf)	(Kgf)					(°C)	(Kg)
PML-1	100	30	300	92	64	70	145	<80	3
PML-2	200	60	600	114	72	98	145	<80	5
PML-3	300	100	900	165	88	96	176	<80	10
PML-5	500	150	1500	210	88	96	203	<80	12.5
PML-6	600	200	1800	216	118	118	219	<80	20
PML-10	1000	300	3000	264	148	138	266	<80	37
PML-15	1500	500	4500	308	168	168	285	<80	62
PML-20	2000	600	6000	397	168	168	380	<80	80
PML-30	3000	1000	9000	443	226	216	512	<80	160
PML-50	5000	1500	15000	582	290	265	627	<80	320
PML-60	6000	2000	18000	713	290	265	707	<80	398



[Strong Magnets GmbH.](http://www.strong-magnets.eu)

T: +49(0) 2104 9539020

Website: www.strong-magnets.eu