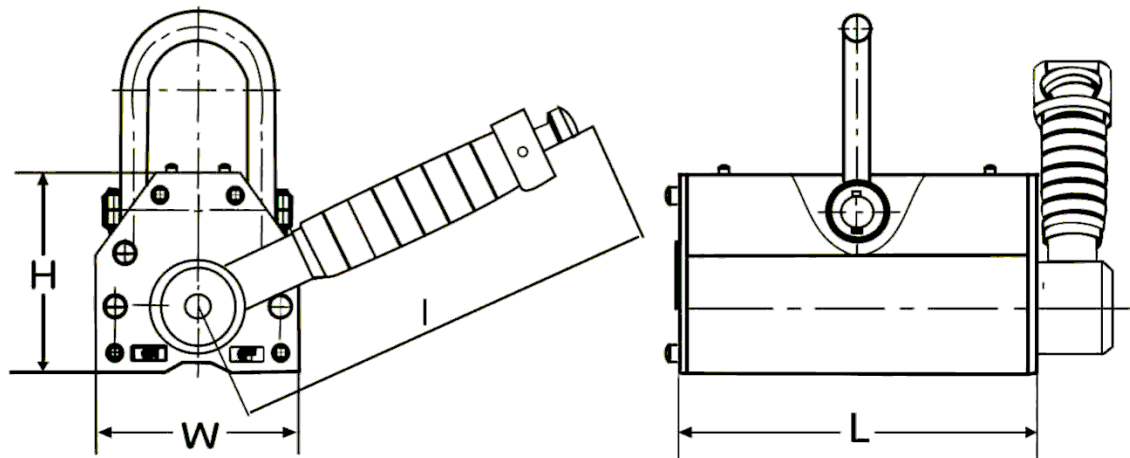


Magnetic Lifter

Specifications for 3.5 times

MODEL	Rated lifting strength	Cylindrical Lifting strength	Max pull-off strength	W	L	H	I	Operation temperature	Gross weight
	(Kgf)							(°C)	
PML-1	100	30	350	62	92	70	145	<80	3
PML-3	300	100	1050	92	162	96	180	<80	10
PML-6	600	200	2100	122	232	120	220	<80	24
PML-10	1000	300	3500	176	258	163	285	<80	50
PML-20	2000	600	7000	234	378	212	465	<80	125
PML-30	3000	1000	10500	286	458	261	565	<80	220
PML-50	5000		19200	296	720	266	710	<80	398

*PML-60 can produce according to the customer's request



[Strong Magnets GmbH.](http://www.strong-magnets.eu)

T: +49(0) 2104 9539020

Website: www.strong-magnets.eu